



**NOTICE:** All instructions, warranties and other collateral documents are used throughout the product literature to indicate various levels of potential harm when operating this product.

#### Meaning of Special Language:

The following terms are used throughout the product literature to indicate various levels of potential harm when operating this product:

**NOTICE:** Procedures, which if not properly followed, create a possibility of physical property damage AND little or no possibility of injury.

**CAUTION:** Procedures, which if not properly followed, create the probability of physical property damage AND a possibility of serious injury.

**WARNING:** Procedures, which if not properly followed, create the probability of property damage, collateral damage, and serious injury OR create a high probability of superficial injury.

**WARNING:** Read the ENTIRE instruction manual to become familiar with the features of the product before operating. Failure to operate the product correctly can result in damage to the product, personal property and cause serious injury.

This is a sophisticated hobby product and NOT a toy. It must be operated with caution and common sense and requires some basic mechanical ability. Failure to operate this Product in a safe and responsible manner could result in injury or damage to the product or other property. This product is not intended for use by children without direct adult supervision. Do not attempt disassembly, use with incompatible components or augment product in any way without the approval of Horizon Hobby, Inc. This manual contains instructions for safety, operation and maintenance. It is essential to read and follow all the instructions and warnings in the manual, prior to assembly, setup or use, in order to operate correctly and avoid damage or serious injury.

#### Age Recommendation:

**Not for children under 14 years. This is not a toy.**

## SPMA9585/SPMA9586 AIRCRAFT TELEMETRY G-FORCE SENSORS USER GUIDE

The Spektrum™ SPMA9585/SPMA9586 Aircraft Telemetry G-Force sensors are compatible with the Spektrum TM1000 Telemetry Module X-BUS expansion port.

### Specifications

**Type:** SPMA9585/SPMA9586 Aircraft Telemetry G-Force Sensors

**Measures:** SPMA9585: 3 axis +/- 8G; SPMA9586: 2 axis +/- 40G (X and Z axis), 1 axis +/- 8G (Y axis)

**Dimensions:** 28mm x 16mm x 7mm

**Weight:** Circuit board—4 gram

**Calibration:** No user calibration required

**Important:** The G-Force sensors are +/- 8G and +/- 40G after zero G calibration. The sensor range can vary slightly. For example, the 8G sensor full range could be from +7.5G to -8.5G worst case.

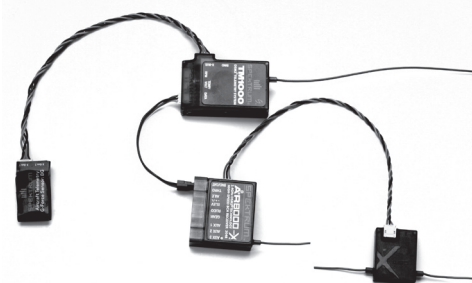
### Items Included



• 6" X-BUS extension

• Sensor

### Connection Information



Insert the X-BUS extension into the G-Force Sensor and X-BUS port of the TM1000 Telemetry Module. The sensor has two ports for the X-BUS extension to attach. Either plug can be used on the sensor; when using multiple sensing units, daisy chaining will be required. The G-Force sensor can be installed anywhere inside the aircraft for G-Force to display on the telemetry screen.

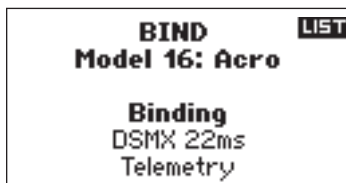
**ATTENTION:** Make sure your AirWare™ software is updated to the most recent version.

Mount the TM1000 module near the receiver in a position that allows the 2.5-inch data lead to extend from the receiver's Data port to the Data port on the telemetry module. You can use servo tape to secure the TM1000 module or wrap it in foam with the receiver. Plug the Data lead into the TM1000 port marked DATA and plug the other end of the lead into the receiver's DATA port.

**NOTICE:** Route and secure the antenna away from any metallic or conductive materials to give the best range.

### Binding the Telemetry Module and Receiver

- Using the Bind Stylus, press and hold the bind button on the side of the TM1000 telemetry module.
- While depressing the bind button, power the receiver. The main receiver, all attached remote receivers and the TM1000 telemetry module should blink, indicating the system is in bind mode.
- With the stick and switches in the desired failsafe positions (normally low throttle and neutral sticks), put the transmitter into bind mode.
- The main screen displays the receiver type. After several seconds, the system connects and reverts to the main screen.



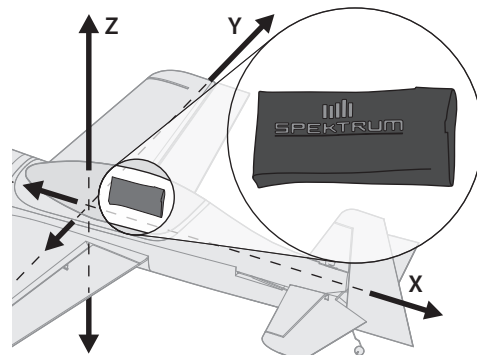
- From the main screen, rotate the roller to access the telemetry screens and verify the flight log data and G-Force readings.

**NOTICE:** G-Force must be enabled in the System Setup Telemetry screen.

G-Force		
Axis	Max	Min
X:	-5.1	8.40
Y:	-0.6	3.40
Z:	+1.7	+3.83
		-2.20

### Installation

The optional G-Force sensors are designed to easily install in any aircraft application. The accuracy of the G-Force sensor depends on position and orientation of the sensor in relation to the aircraft's center of gravity. For proper orientation ensure the sensor is mounted to the right side of the fuselage with the leads facing the rear of the aircraft (refer to diagram). To reset the G-Force telemetry values to zero, power will need cycled off and then on to the sensor.



## 1 YEAR LIMITED WARRANTY

### What this Warranty Covers

Horizon Hobby, Inc., (Horizon) warrants to the original purchaser that the product purchased (the "Product") will be free from defects in materials and workmanship for a period of 1 year from the date of purchase.

### What is Not Covered

This warranty is not transferable and does not cover (i) cosmetic damage, (ii) damage due to acts of God, accident, misuse, abuse, negligence, commercial use, or due to improper use, installation, operation or maintenance, (iii) modification of or to any part of the Product, (iv) attempted service by anyone other than a Horizon Hobby authorized service center, or (v) Products not purchased from an authorized Horizon dealer.

OTHER THAN THE EXPRESS WARRANTY ABOVE, HORIZON MAKES NO OTHER WARRANTY OR REPRESENTATION, AND HEREBY DISCLAIMS ANY AND ALL IMPLIED WARRANTIES, INCLUDING, WITHOUT LIMITATION, THE IMPLIED WARRANTIES OF NON-INFRINGEMENT, MERCHANTABILITY AND FITNESS FOR A PARTICULAR PURPOSE. THE PURCHASER ACKNOWLEDGES THAT THEY ALONE HAVE DETERMINED THAT THE PRODUCT WILL SUITABLY MEET THE REQUIREMENTS OF THE PURCHASER'S INTENDED USE.

### Purchaser's Remedy

Horizon's sole obligation and purchaser's sole and exclusive remedy shall be that Horizon will, at its option, either (i) service, or (ii) replace, any Product determined by Horizon to be defective. Horizon reserves the right to inspect any and all Product(s) involved in a warranty claim. Service or replacement decisions are at the sole discretion of Horizon. Proof of purchase is required for all warranty claims. SERVICE OR REPLACEMENT AS PROVIDED UNDER THIS WARRANTY IS THE PURCHASER'S SOLE AND EXCLUSIVE REMEDY.

### Limitation of Liability

HORIZON SHALL NOT BE LIABLE FOR SPECIAL, INDIRECT, INCIDENTAL OR CONSEQUENTIAL DAMAGES, LOSS OF PROFITS OR PRODUCTION OR COMMERCIAL LOSS IN ANY WAY, REGARDLESS OF WHETHER SUCH CLAIM IS BASED IN CONTRACT, WARRANTY, TORT, NEGLIGENCE, STRICT LIABILITY OR ANY OTHER THEORY OF LIABILITY, EVEN IF HORIZON HAS BEEN ADVISED OF THE POSSIBILITY OF SUCH DAMAGES. Further, in no event shall the liability of Horizon exceed the individual price of the Product on which liability is asserted. As Horizon has no control over use, setup, final assembly, modification or misuse, no liability shall be assumed nor

accepted for any resulting damage or injury. By the act of use, setup or assembly, the user accepts all resulting liability. If you as the purchaser or user are not prepared to accept the liability associated with the use of the Product, purchaser is advised to return the Product immediately in new and unused condition to the place of purchase.

#### Law

These terms are governed by Illinois law (without regard to conflict of law principals). This warranty gives you specific legal rights, and you may also have other rights which vary from state to state. Horizon reserves the right to change or modify this warranty at any time without notice.

## Warranty Services

### Questions, Assistance, and Services

Your local hobby store and/or place of purchase cannot provide warranty support or service. Once assembly, setup or use of the Product has been started, you must contact Horizon directly. This will enable Horizon to better answer your questions and service you in the event that you may need any assistance. For questions or assistance, please direct your email to [productsupport@horizonhobby.com](mailto:productsupport@horizonhobby.com), or call 877.504.0233 toll free to speak to a Product Support representative. You may also find information on our website at [www.horizonhobby.com](http://www.horizonhobby.com).

### Inspection or Services

If this Product needs to be inspected or serviced, please use the Horizon Online Service Request submission process found on our website or call Horizon to obtain a Return Merchandise Authorization (RMA) number. Pack the Product securely using a shipping carton. Please note that original boxes may be included, but are not designed to withstand the rigors of shipping without additional protection. Ship via a carrier that provides tracking and insurance for lost or damaged parcels, as Horizon is not responsible for merchandise until it arrives and is accepted at our facility. An Online Service Request is available at <http://www.horizonhobby.com> under the Support tab.

Country of Purchase	Horizon Hobby	Address	Phone Number/ Email
United States	Horizon Service Center (Electronics and engines)	4105 Fieldstone Rd Champaign, Illinois 61822 USA	877-504-0233 Online Repair Request visit: <a href="http://www.horizonhobby.com/repairs">www.horizonhobby.com/repairs</a>
	Horizon Product Support (All other products)	4105 Fieldstone Rd Champaign, Illinois 61822 USA	877-504-0233 <a href="mailto:productsupport@horizonhobby.com">productsupport@horizonhobby.com</a>
United Kingdom	Horizon Hobby Limited	Units 1-4 Ployters Rd Staple Tye, Harlow, Essex CM18 7NS United Kingdom	+44 (0) 1279 641 097 <a href="mailto:sales@horizonhobby.co.uk">sales@horizonhobby.co.uk</a>
Germany	Horizon Hobby GmbH	Christian-Junge-Straße 1 25337 Elmshorn Germany	+49 (0) 4121 2655 100 <a href="mailto:service@horizonhobby.de">service@horizonhobby.de</a>
France	Horizon Hobby SAS	14 Rue Gustave Eiffel Zone d'Activité du Réveil Matin 91230 Montgeron	+33 (0) 1 60 47 44 70 <a href="mailto:infofrance@horizonhobby.com">infofrance@horizonhobby.com</a>

If you do not have internet access, please contact Horizon Product Support to obtain a RMA number along with instructions for submitting your product for service. When calling Horizon, you will be asked to provide your complete name, street address, email address and phone number where you can be reached during business hours. When sending product into Horizon, please include your RMA number, a list of the included items, and a brief summary of the problem. A copy of your original sales receipt must be included for warranty consideration. Be sure your name, address, and RMA number are clearly written on the outside of the shipping carton.

**NOTICE: Do not ship LiPo batteries to Horizon. If you have any issue with a LiPo battery, please contact the appropriate Horizon Product Support office.**

### Warranty Requirements

**For Warranty consideration, you must include your original sales receipt verifying the proof-of-purchase date.** Provided warranty conditions have been met, your Product will be serviced or replaced free of charge. Service or replacement decisions are at the sole discretion of Horizon.

### Non-Warranty Service

**Should your service not be covered by warranty service will be completed and payment will be required without notification or estimate of the expense unless the expense exceeds 50% of the retail purchase cost.** By submitting the item for service you are agreeing to payment of the service without notification. Service estimates are available upon request. You must include this request with your item submitted for service. Non-warranty service estimates will be billed a minimum of ½ hour of labor. In addition you will be billed for return freight. Horizon accepts money orders and cashiers checks, as well as Visa, MasterCard, American Express, and Discover cards. By submitting any item to Horizon for service, you are agreeing to Horizon's Terms and Conditions found on our website <http://www.horizonhobby.com/Service/Request/>.

## COMPLIANCE INFORMATION FOR THE EUROPEAN UNION

### CE Declaration of Conformity (in accordance with ISO/IEC 17050-1)

No. HH2011110402

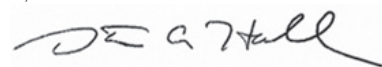
Product(s): Aircraft Telemetry  
3 Axis GForce Sensor

Item Number(s): SPMA9585, SPMA9586

The object of declaration described above is in conformity with the requirements of the specifications listed below, following the provisions of the European EMC Directive 2004/108/EC:

**EN61000-6-1:2007**  
**EN61000-6-3:2007**

Signed for and on behalf of:  
Horizon Hobby, Inc.  
Champaign, IL USA  
November 4, 2011



Steven A. Hall  
Vice President  
International Operations and Risk Management  
Horizon Hobby, Inc.



### Instructions for Disposal of WEEE by Users in the European Union

This product must not be disposed of with other waste. Instead, it is the user's responsibility to dispose of their waste equipment by handing it over to a designated collection point for the recycling of waste electrical and electronic equipment. The separate collection and recycling of your waste equipment at the time of disposal will help to conserve natural resources and ensure that it is recycled in a manner that protects human health and the environment. For more information about where you can drop off your waste equipment for recycling, please contact your local city office, your household waste disposal service or where you purchased the product.



**HINWEIS:** Alle Anweisungen, Garantien und dazugehörigen Dokumente können ohne Ankündigung von Horizon Hobby geändert werden. Eine aktuelle Version ersehen Sie bitte unter: www.horizonhobby.com unter Support für dieses Produkt.

**Erklärung der Begriffe:**

Die folgenden Begriffe erklären die Gefährdungsstufen im Umgang mit dem Produkt:

**HINWEIS:** Verfahren die nicht ordnungsgemäß durchgeführt werden, beinhalten die Möglichkeiten einer Beschädigung und maximal ein kleines Risiko einer Verletzung.

**ACHTUNG:** Verfahren die nicht ordnungsgemäß durchgeführt werden, beinhalten die Wahrscheinlichkeit einer Beschädigung und das Risiko einer ernsthaften Verletzung.

**WARNUNG:** Wenn diese Verfahren nicht korrekt befolgt werden, ergeben sich wahrscheinlich Sachschäden, Kollateralschäden und schwere Verletzungen ODER mit hoher Wahrscheinlichkeit oberflächliche Verletzungen.

**! WARNUNG:** Lesen Sie sorgfältig die gesamte Bedienungsanleitung durch und machen sich vor dem Betrieb mit dem Produkt vertraut. Falscher und oder nicht sachgemäßer Umgang kann zu Beschädigungen am Produkt, eigenem und fremdem Eigentum und ernsthaften Verletzungen führen.

Bitte beachten Sie, dass dieses Produkt ein hoch entwickeltes Hobby Produkt und kein Spielzeug ist. Es erfordert bei dem Betrieb Aufmerksamkeit und grundlegende mechanische Fähigkeiten. Falscher, nicht sachgemäßer Umgang kann zu Beschädigungen an eigenem oder fremdem Eigentum oder zu Verletzungen an sich selbst oder Dritter führen. Versuchen Sie nicht dieses Produkt auseinander zu bauen, oder es mit Komponenten zu betreiben die nicht ausdrücklich mit Genehmigung von Horizon Hobby dafür geeignet sind. Dieses Produkt ist nicht für den Gebrauch von Kindern ohne direkte Aufsicht durch ihre Eltern bestimmt.

Die Bedienungsanleitung enthält Anweisungen und wichtige Informationen für die Sicherheit und Betrieb. Es ist daher notwendig, allen darin enthaltenen Anweisungen und Warnungen Folge zu leisten und diese Anleitung vor dem Zusammenbau und Inbetriebnahme sorgfältig durch zu lesen.

**Nicht geeignet für Kinder unter 14 Jahren. Dies ist kein Spielzeug.**

**SPMA9585/SPMA9586 LUFTFAHRZEUG TELEMETRIE G-KRAFT SENSOREN BEDIENUNGSANLEITUNG**

Die Spektrum™ SPMA9585/SPMA9586 Luftfahrzeug Telemetrie G-Kraft Sensoren sind kompatibel mit dem Spektrum TM1000 Telemetrie Modul X Bus Expansion Port.

**Spezifikationen**

- Typ:** SPMA9585/SPMA9586 Luftfahrzeug Telemetrie G-Kraft Sensoren
- Meßbereich:** SPMA9585: 3 Achsen +/- 8G  
SPMA9586: 2 Achsen +/- 40G  
(X und Z Achse, 1 Achse +/- 8G (Y Achse))
- Abmessungen:** 28mm 16mm x 7mm
- Gewicht:** Platine 4 Gr.
- Kalibrierung:** Keine Benutzerkalibrierung notwendig

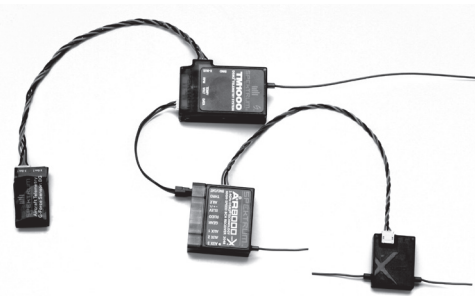
**Wichtig:** Die G- Kraft Sensoren sind auf +/- 8G und +/- 40 G nach 0 G Kalibrierung ausgelegt. Der Erfassungsbereich des Sensoren kann etwas abweichen. So zum Beispiel, kann der 8G Sensor als größte Abweichung einen Erfassungsbereich von +7,5G bis - 8,5G haben.

**Im Lieferumfang enthalten**



- 6" X-BUS Verlängerung
- Sensor

**Anschlußinformation**



Stecken Sie die X Bus Verlängerung in den G-Kraft Sensor und in den X Bus Anschluß des TM 1000 Telemetrie Moduls. Der Sensor hat zwei Anschlüsse für den Anschluß von X Bus Verlängerungen. Beide können für den Anschluß verwendet werden. Bei mehreren Sensor Einheiten ist ein Reihenanschluß notwendig. Der G-Kraft Sensor kann an beliebiger Stelle im Luftfahrzeug montiert werden, um in der Telemetrie Anzeige des Senders die Werte anzuzeigen.

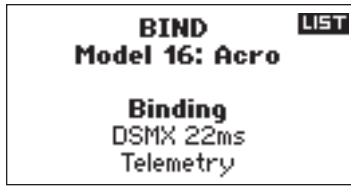
**VORSICHT:** Stellen Sie bitte sicher, dass Ihre AirWare™ Software auf dem neuesten Stand ist.

Montieren Sie das TM1000 Modul nah bei dem Empfänger so das die 2,5 inch Verlängerung ausreicht. Sie können das TM1000 Modul mit Servotape sichern oder es zusammen mit dem Empfänger in Schaumstoff wickeln. Stecken Sie die Datenleitung in den TM1000 Anschluß der mit DATA beschriftet ist und das andere Ende in de DATA Port des Empfängers.

**HINWEIS:** Führen und sichern Sie die Antenne weg von allen metallischen oder leitenden Materialien um die beste Reichweite zu sichern.

**Binden des Telemetrie Moduls und des Empfängers**

1. Drücken und halten Sie mit dem Bindeadapter den Bindeknopf auf der Seite des TM 1000 Telemetrie Moduls gedrückt.
2. Schalten Sie den Empfänger ein, während Sie den Bindeknopf gedrückt halten. Der Hauptempfänger, alle angeschlossenen Satellitenempfänger und das TM1000 Telemetriemodul sollten jetzt blinken und damit den Bindemodus anzeigen.
3. Bringen Sie den Sender mit den Knüppel und Schalter in die gewünschten Failsafepositionen (normalerweise Gas Leerlauf und neutrale Kontrollen) in den Binde Mode.
4. Das Display zeigt Ihnen den Empfänger Typ. Nach einigen Sekunden wird sich das System verbinden und zur normalen Displayanzeige zurückkehren.



5. Drehen Sie vom Hauptmenü den Rolltaster um in das Telemetriemenü zu gelangen und die Flight Log und G-Kraft Daten zu lesen.

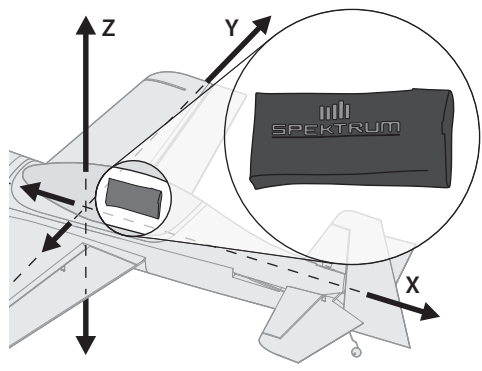
**HINWEIS:** G-Kraft muß in der Systemeinstellung aktiviert sein.

G-Force		
Axis	Max	Min
X:	-5.1	8.40
Y:	-0.6	3.40
Z:	+1.7	+3.83
		-2.20

**Einbau**

Die optionalen G - Kraft Sensoren sind für den einfachen Einbau in jedes Luftfahrzeug vorgesehen. Die Genauigkeit des G-Kraft Sensors hängt von dem Position und Orientierung in Verbindung mit dem Schwerpunktes des Flugzeuges ab. Für die richtige Ausrichtung stellen Sie bitte sicher, dass der Sensor auf der rechten Seite des Rumpfes mit den Anschlüssen nach hinten eingebaut ist. (Siehe Diagramm)

Um die G-Kraft Telemetrie Werte auf Null zu resettet, schalten Sie den Sensor aus und wieder an.



**GARANTIE UND SERVICE INFORMATIONEN**

**Warnung**

Ein ferngesteuertes Modell ist kein Spielzeug. Es kann, wenn es falsch eingesetzt wird, zu erheblichen Verletzungen bei Lebewesen und Beschädigungen an Sachgütern führen. Betreiben Sie Ihr RC-Modell nur auf freien Plätzen und beachten Sie alle Hinweise der Bedienungsanleitung des Modells wie auch der Fernsteuerung.

**Garantiezeitraum**

Exklusive Garantie - Horizon Hobby Inc (Horizon) garantiert, dass dasgekauft Produkt (Produkt) frei von Material- und Montagefehlern ist. Der Garantiezeitraum entspricht den gesetzlichen Bestimmung des Landes, in dem das Produkt erworben wurde. In Deutschland beträgt der Garantiezeitraum 6 Monate und der Gewährleistungszeitraum 18 Monate nach dem Garantiezeitraum.

**Einschränkungen der Garantie**

- (a) Die Garantie wird nur dem Erstkäufer (Käufer) gewährt und kann nicht übertragen werden. Der Anspruch des Käufers besteht in der Reparatur oder dem Tausch im Rahmen dieser Garantie. Die Garantie erstreckt sich ausschließlich auf Produkte, die bei einem autorisierten Horizon Händler erworben wurden. Verkäufe an dritte werden von dieser Garantie nicht gedeckt. Garantieansprüche werden nur angenommen, wenn ein gültiger Kaufnachweis erbracht wird. Horizon behält sich das Recht vor, diese Garantiebestimmungen ohne Ankündigung zu ändern oder modifizieren und widerruft dann bestehende Garantiebestimmungen.
- (b) Horizon übernimmt keine Garantie für die Verkaufbarkeit des Produktes, die Fähigkeiten und die Fitness des Verbrauchers für einen bestimmten Einsatzzweck des Produktes. Der Käufer allein ist dafür verantwortlich, zu prüfen, ob das Produkt seinen Fähigkeiten und dem vorgesehenen Einsatzzweck entspricht.
- (c) Ansprüche des Käufers – Es liegt ausschließlich im Ermessen von Horizon, ob das Produkt, bei dem ein Garantiefall festgestellt wurde, repariert oder ausgetauscht wird. Dies sind die exklusiven Ansprüche des Käufers, wenn ein Defekt festgestellt wird. Horizon behält sich vor, alle eingesetzten Komponenten zu



prüfen, die in den Garantiefall einbezogen werden können. Die Entscheidung zur Reparatur oder zum Austausch liegt nur bei Horizon. Die Garantie schließt kosmetische Defekte oder Defekte, hervorgerufen durch höhere Gewalt, falsche Behandlung des Produktes, falscher Einsatz des Produktes, kommerziellen Einsatz oder Modifikationen irgendwelcher Art aus. Die Garantie deckt Schäden, die durch falschen Einbau, falsche Handhabung, Unfälle, Betrieb, Service oder Reparaturversuche, die nicht von Horizon ausgeführt wurden, aus. Rücksendungen durch den Käufer direkt an Horizon oder eine seiner Landesvertretung bedürfen der schriftlichen.

### Schadensbeschränkung

Horizon ist nicht für direkte oder indirekte Folgeschäden, Einkommensausfälle oder kommerzielle Verluste, die in irgendeinem Zusammenhang mit dem Produkt stehen nicht verantwortlich, unabhängig ob ein Anspruch im Zusammenhang mit einem Vertrag, der Garantie oder der Gewährleistung erhoben werden. Horizon wird darüber hinaus keine Ansprüche aus einem Garantiefall akzeptieren, die über den individuellen Wert des Produktes hinaus gehen. Horizon hat keine Einfluss auf den Einbau, die Verwendung oder die Wartung des Produktes oder etwaiger Produktkombinationen, die vom Käufer gewählt werden. Horizon übernimmt keine Garantie und akzeptiert keine Ansprüche für in der Folge auftretende Verletzungen oder Beschädigungen. Mit der Verwendung und dem Einbau des Produktes akzeptiert der Käufer alle aufgeführten Garantiebestimmungen ohne Einschränkungen und Vorbehalte.

Wenn Sie als Käufer nicht bereit sind, diese Bestimmungen im Zusammenhang mit der Benutzung des Produktes zu akzeptieren, werden Sie gebeten, das Produkt in unbenutztem Zustand in der Originalverpackung vollständig bei dem Verkäufer zurückzugeben.

### Sicherheitshinweise

Dieses ist ein hochwertiges Hobby Produkt und kein Spielzeug. Es muss mit Vorsicht und Umsicht eingesetzt werden und erfordert einige mechanische wie auch mentale Fähigkeiten. Ein Versagen, das Produkt sicher und umsichtig zu betreiben kann zu Verletzungen von Lebewesen und Sachbeschädigungen erheblichen Ausmaßes führen. Dieses Produkt ist nicht für den Gebrauch durch Kinder ohne die Aufsicht eines Erziehungsberechtigten vorgesehen. Die Anleitung enthält Sicherheitshinweise und Vorschriften sowie Hinweise für die Wartung und den Betrieb des Produktes. Es ist unabdingbar, diese Hinweise vor der ersten Inbetriebnahme zu lesen und zu verstehen. Nur so kann der falsche Umgang verhindert und Unfälle mit Verletzungen und Beschädigungen vermieden werden.

### Fragen, Hilfe und Reparaturen

Ihr lokaler Fachhändler und die Verkaufsstelle können eine Garantiebeurteilung ohne Rücksprache mit Horizon nicht durchführen. Dies gilt auch für Garantiereparaturen. Deshalb kontaktieren Sie in einem solchen Fall den Händler, der sich mit Horizon kurz schließen wird, um eine sachgerechte Entscheidung zu fällen, die Ihnen schnellst möglich hilft.

Land des Kauf	Horizon Hobby	Adresse	Telefon/E-mail Adresse
Germany	Horizon Technischer Service	Christian-Junge-Straße 1 25337 Elmshorn Germany	+49 (0) 4121 2655 100 service@horizonhobby.de

### Wartung und Reparatur

Muss Ihr Produkt gewartet oder repariert werden, wenden Sie sich entweder an Ihren Fachhändler oder direkt an Horizon. Packen Sie das Produkt sorgfältig ein. Beachten Sie, dass der Originalkarton in der Regel nicht ausreicht, um beim Versand nicht beschädigt zu werden. Verwenden Sie einen Paketdienstleister mit einer Tracking Funktion und Versicherung, da Horizon bis zur Annahme keine Verantwortung für den Versand des Produktes übernimmt. Bitte legen Sie dem Produkt einen Kaufbeleg bei, sowie eine ausführliche Fehlerbeschreibung und eine Liste aller eingesendeten Einzelkomponenten. Weiterhin benötigen wir die vollständige Adresse, eine Telefonnummer für Rückfragen, sowie eine Email Adresse.

### Garantie und Reparaturen

Ihr lokaler Fachhändler und die Verkaufsstelle können eine Garantiebeurteilung ohne Rücksprache mit Horizon nicht durchführen. Dies gilt auch für Garantiereparaturen. Deshalb kontaktieren Sie in einem solchen Fall den Händler, der sich mit Horizon kurz schließen wird, um eine sachgerechte Entscheidung zu fällen, die Ihnen schnellst möglich hilft.

### Kostenpflichtige Reparaturen

Liegt eine kostenpflichtige Reparatur vor, erstellen wir einen Kostenvoranschlag, den wir Ihrem Händler übermitteln. Die Reparatur wird erst vorgenommen, wenn wir die Freigabe des Händlers erhalten. Der Preis für die Reparatur ist bei Ihrem Händler zu entrichten. Bei kostenpflichtigen Reparaturen werden mindestens 30 Minuten Werkstattzeit und die Rückversandkosten in Rechnung gestellt. Sollten wir nach 90 Tagen keine Einverständniserklärung zur Reparatur vorliegen haben, behalten wir uns vor, das Produkt zu vernichten oder anderweitig zu verwerten.



**ACHTUNG:** Liegt eine kostenpflichtige Reparatur vor, erstellen wir einen Kostenvoranschlag, den wir Ihrem Händler übermitteln. Die Reparatur wird erst vorgenommen, wenn wir die Freigabe des Händlers erhalten. Der Preis für die Reparatur ist bei Ihrem Händler zu entrichten. Bei kostenpflichtigen Reparaturen werden mindestens 30 Minuten Werkstattzeit und die Rückversandkosten in Rechnung gestellt. Sollten wir nach 90 Tagen keine Einverständniserklärung zur Reparatur vorliegen haben, behalten wir uns vor, das Produkt zu vernichten oder anderweitig zu verwerten.

# HORIZON

H O B B Y - GmbH

### Konformitätserklärung laut Allgemeine Anforderungen (ISO/IEC 17050-1:2004, korrigierte Fassung 2007-06-15); Deutsche Englische Fassung EN ISO/IEC 17050-1:2010

Declaration of conformity (in accordance with ISO/IEC 17050-1)

Horizon Hobby GmbH  
Christian-Junge Straße 1  
D-25337 Elmshorn

erklärt das Produkt: Spektrum Luftfahrzeug  
Telemetrie G-Kraft Sensoren  
(SPMA9585, SPMA9586)

declares the product: Aircraft Telemetry 3 Axis GForce  
Sensor (SPMA9585, SPMA9586)

im Einklang mit den Anforderungen der unten aufgeführten Bestimmungen nach den Bestimmungen der europäischen EMV-Richtlinie 2004/108/EG:

The object of declaration described above is in conformity with the requirements of the specifications listed below, following the provisions of the European EMC Directive 2004/108/EC:

Angewendete harmonisierte Normen:  
Harmonised standards applied:

**EN61000-6-1:2007**  
**EN61000-6-3:2007**



Elmshorn, 04.11.2011

Steven A. Hall  
Geschäftsführer  
Managing Director

Birgit Schamuhn  
Geschäftsführerin  
Managing Director

Horizon Hobby GmbH; Christian-Junge Str. 1; D-25337 Elmshorn  
HR Pi: HRB 1909; UStIDNr.: DE812678792; Str.Nr.: 1829812324  
Geschäftsführer Birgit Schamuhn, Steven A. Hall  
Tel.: +49 4121 4619960 • Fax: +49 4121 4619970 eMail: info@horizonhobby.de;  
Internet: www.horizonhobby.de

Es gelten unsere allgemeinen Geschäftsbedingungen, die in unseren Geschäftsräumen eingesehen werden können.

Die Ware bleibt bis zur vollständigen Bezahlung Eigentum der Horizon Hobby GmbH



### Entsorgung in der Europäischen Union

Dieses Produkt darf nicht über den Hausmüll entsorgt werden. Es ist die Verantwortung des Benutzers, dass Produkt an einer registrierten Sammelstelle für Elektroschrott abzugeben diese Verfahren stellt sicher, dass die Umwelt geschont wird und natürliche Ressourcen nicht über die Gebühr beansprucht werden. Dadurch wird das Wohlergehen der menschlichen Gemeinschaft geschützt. Für weitere Informationen, wo der Elektromüll entsorgt werden kann, können Sie Ihr Stadtbüro oder Ihren lokalen Entsorger kontaktieren.

# SPEKTRUM

**REMARQUE:** Toutes les instructions, garanties et autres documents de garantie sont sujets à la seule discrétion de Horizon Hobby, Inc. Veuillez, pour une littérature produits bien à jour, faire un tour sur <http://www.horizonhobby.com> et cliquez sur l'onglet de support de ce produit.

## SIGNIFICATION DE CERTAINS MOTS:

Les termes suivants servent, dans toute la documentation des produits, à désigner différents niveaux de blessures potentielles lors de l'utilisation de ce produit:

**REMARQUE:** Procédures, qui si elles ne sont pas suivies correctement, créent une probabilité potentielle de dégâts matériels physiques ET un risque faible ou inexistant de blessures.

**ATTENTION:** Procédures, qui si elles ne sont pas suivies correctement, créent une probabilité potentielle de dégâts matériels physiques ET un risque de blessures graves.

**AVERTISSEMENT:** Procédures qui, si elles ne sont pas suivies correctement, créent un risque de dégâts matériels physiques, de dégâts collatéraux et un risque de blessures graves OU créent un risque élevé de blessures superficielles.

**AVERTISSEMENT:** Lisez la TOTALITE du manuel d'utilisation afin de vous familiariser avec les caractéristiques du produit avant de le faire fonctionner. Une utilisation incorrecte du produit peut avoir comme résultat un endommagement du produit lui-même, celui de propriétés personnelles voire entraîner des blessures graves. Ceci est un produit de loisirs perfectionné et NON PAS un jouet. Il doit être manipulé avec prudence et bon sens et requiert quelques aptitudes de base à la mécanique. L'incapacité à manipuler ce produit de manière sûre et responsable peut provoquer des blessures ou des dommages au produit ou à d'autres biens. Ce produit n'est pas destiné à être utilisé par des enfants sans la surveillance directe d'un adulte. Ne pas essayer de démonter le produit, de l'utiliser avec des composants incompatibles ou d'en améliorer les performances sans l'approbation de Horizon Hobby, Inc. Ce manuel comporte des instructions de sécurité, de mise en oeuvre et d'entretien. Il est capital de lire et de respecter toutes les instructions et avertissements du manuel avant l'assemblage, le réglage ou l'utilisation afin de le manipuler correctement et d'éviter les dommages ou les blessures graves.

14 ans et plus. Ceci n'est pas un jouet.

## SPMA9585/SPMA9586 MANUEL D'UTILISATION DES CAPTEURS D'ACCÉLÉRATION POUR TÉLÉMÉTRIE

Les capteurs d'accélération Spektrum SPMA9585/SPMA9586 sont compatibles avec le module de télémétrie Spektrum TM1000 à extension X-BUS.

### Caractéristiques

**Type:** SPMA9585/SPMA9586 Capteurs d'accélération pour télémétrie

**Mesures:** SPMA9585: 3 axes +/- 8G  
SPMA9586: 2 axes +/- 40G (X et Z axes),  
1 axe +/- 8G (Y axe)

**Dimensions:** 28mm x 16mm x 10mm

**Masse:** Platine-4 grammes

**Calibration:** Aucune calibration doit être effectuée par l'utilisateur

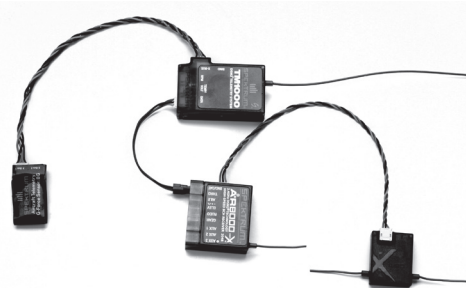
**Important:** Les capteurs d'accélération sont à +/-8G et +/-40G après la mise à zéro. L'amplitude de mesure du capteur peu légèrement varier. Par exemple, le capteur 8G peu descendre à -7.5G et monter à +8.5G.

### Éléments inclus



- Rallonge X-BUS 15 cm
- Capteur

### Branchements des éléments



Connectez la rallonge X-BUS au capteur et au port X-BUS du module de télémétrie TM1000. Le capteur possède deux ports X-BUS. Les deux ports peuvent être utilisés, quand vous devez chaîner plusieurs capteurs. Le capteur d'accélération peut être installé n'importe où dans le fuselage pour afficher les accélérations sur l'écran de télémétrie.

**ATTENTION:** Vérifiez que votre logiciel AirWare est à jour.

Positionnez le module TM1000 à proximité du récepteur, à la distance que la rallonge entre le port data du module et le port data du récepteur le permet. Utilisez du double face pour fixer le module ou enroulez le dans de la mousse.

**REMARQUE :** Guidez et fixez l'antenne afin de l'éloigner de tout matériaux conducteur afin d'obtenir la meilleure portée.

### Appairage du récepteur et du module de télémétrie

1. Utilisez le stylet pour presser et maintenir le bouton bind sur le coté du module TM1000.
2. Relâchez le bouton en mettant simultanément le récepteur sous tension. Le récepteur et les satellites vont se mettre à clignoter indiquant le passage en mode appairage.
3. En maintenant les manches des les positions désirées pour le failsafe (gaz au mini et les autres manches au neutre), mettez l'émetteur en mode appairage (bind).
4. L'écran principal affiche le type de récepteur. Après quelques secondes le système se connecte et l'émetteur retourne à l'écran principal.



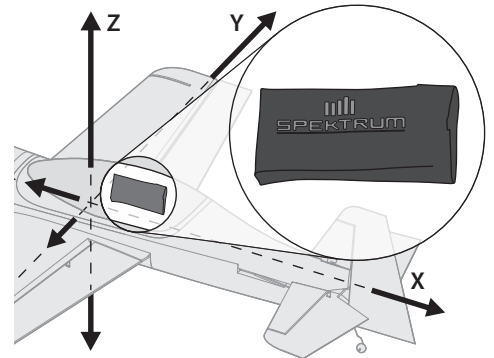
5. Depuis l'écran principal, faites tourner le roller pour atteindre l'affichage de la télémétrie pour vérifier les valeurs d'accélération.

**REMARQUE:** l'accélération doit être activée dans le menu de paramétrage de la télémétrie.

G-Force		
Axis	Max	Min
X:	-5.1	8.40
Y:	-0.6	3.40
Z:	+1.7	+3.83
		-2.20

### Installation

Les capteurs d'accélération ont été conçu de façon à les rendre facile à installer dans n'importe quel avion. La précision des mesures dépend de la position et de l'orientation par rapport au centre de gravité. Le capteur doit toujours être placé sur le côté droit du fuselage, avec les câble orientés vers l'arrière de l'avion. Pour effacer les valeurs du capteur, vous devez l'éteindre puis le rallumer.



### GARANTIE ET RÉPARATIONS

#### Durée de la garantie

Garantie exclusive - Horizon Hobby, Inc. (Horizon) garantit que le Produit acheté (le « Produit ») sera exempt de défauts matériels et de fabrication à sa date d'achat par l'Acheteur. La durée de garantie correspond aux dispositions légales du pays dans lequel le produit a été acquis. La durée de garantie est de 6 mois et la durée d'obligation de garantie de 18 mois à l'expiration de la période de garantie.

#### Limitations de la garantie

(a) La garantie est donnée à l'acheteur initial (« Acheteur ») et n'est pas transférable. Le recours de l'acheteur consiste en la réparation ou en l'échange dans le cadre de cette garantie. La garantie s'applique uniquement aux produits achetés chez un revendeur Horizon agréé. Les ventes faites à des tiers ne sont pas couvertes par cette garantie. Les revendications en garantie seront acceptées sur fourniture d'une preuve d'achat valide uniquement. Horizon se réserve le droit de modifier les dispositions de la présente garantie sans avis préalable et révoque alors les dispositions de garantie existantes.

(b) Horizon n'endosse aucune garantie quant à la vendabilité du produit ou aux capacités et à la forme physique de l'utilisateur pour une utilisation donnée du produit. Il est de la seule responsabilité de l'acheteur de vérifier si le produit correspond à ses capacités et à l'utilisation prévue.

(c) Recours de l'acheteur – Il est de la seule discrétion d'Horizon de déterminer si un produit présentant un cas de garantie sera réparé ou échangé. Ce sont là les recours exclusifs de l'acheteur lorsqu'un défaut est constaté.

Horizon se réserve la possibilité de vérifier tous les éléments utilisés et susceptibles d'être intégrés dans le cas de garantie. La décision de réparer ou de remplacer le produit est du seul ressort d'Horizon. La garantie exclut les défauts esthétiques ou les défauts provoqués par des cas de force majeure, une manipulation incorrecte du produit, une utilisation incorrecte ou commerciale de ce dernier ou encore des modifications de quelque nature qu'elles soient. La garantie ne couvre pas les dégâts résultant d'un montage ou d'une manipulation erronés, d'accidents ou encore du fonctionnement ainsi que des tentatives d'entretien ou de réparation non effectuées par Horizon.

Les retours effectués par le fait de l'acheteur directement à Horizon ou à l'une de ses représentations nationales requièrent une confirmation écrite.

#### Limitation des dégâts

Horizon ne saurait être tenu pour responsable de dommages consécutifs directs ou indirects, de pertes de revenus ou de pertes commerciales, liés de quelque manière que ce soit au produit et ce, indépendamment du fait qu'un recours puisse être formulé en relation avec un contrat, la garantie ou l'obligation de garantie. Par ailleurs, Horizon n'acceptera pas de recours issus d'un cas de garantie lorsque ces recours dépassent la valeur unitaire du produit. Horizon n'exerce aucune influence sur le montage, l'utilisation ou la maintenance du produit ou sur d'éventuelles combinaisons de produits choisies par l'acheteur. Horizon ne prend en compte aucune garantie et n'accepte aucun recours pour les blessures ou les dommages pouvant en résulter. En utilisant et en montant le produit, l'acheteur accepte sans restriction ni réserve toutes les dispositions relatives à la garantie figurant dans le présent document.

Si vous n'êtes pas prêt, en tant qu'acheteur, à accepter ces dispositions en relation avec l'utilisation du produit, nous vous demandons de restituer au vendeur le produit complet, non utilisé et dans son emballage d'origine.

#### Indications relatives à la sécurité

Ceci est un produit de loisirs perfectionné et non un jouet. Il doit être utilisé avec précaution et bon sens et nécessite quelques aptitudes mécaniques ainsi que mentales. L'incapacité à utiliser le produit de manière sûre et raisonnable peut provoquer des blessures et des dégâts matériels conséquents. Ce produit n'est pas destiné à être utilisé par des enfants sans la surveillance par un tuteur. La notice d'utilisation contient des indications relatives à la sécurité ainsi que des indications concernant la maintenance et le fonctionnement du produit. Il est absolument indispensable de lire et de comprendre ces indications avant la première mise en service. C'est uniquement ainsi qu'il sera possible d'éviter une manipulation erronée et des accidents entraînant des blessures et des dégâts.

#### Questions, assistance et réparations

Votre revendeur spécialisé local et le point de vente ne peuvent effectuer une estimation d'éligibilité à l'application de la garantie sans avoir consulté Horizon. Cela vaut également pour les réparations sous garantie. Vous voudrez bien, dans un tel cas, contacter le revendeur qui conviendra avec Horizon d'une décision appropriée, destinée à vous aider le plus rapidement possible.

Pays d'achat	Horizon Hobby	Adresse	Numéro de téléphone/Courriel/ Email
France	Horizon Hobby SAS	14 Rue Gustave Eiffel Zone d'Activité du Réveil Matin 91230 Montgeron	+33 (0) 1 60 47 44 70 infofrance@horizonhobby.com

#### Maintenance et réparation

Si votre produit doit faire l'objet d'une maintenance ou d'une réparation, adressez-vous soit à votre revendeur spécialisé, soit directement à Horizon. Emballez le produit soigneusement. Veuillez noter que le carton d'emballage d'origine ne suffit pas, en règle générale, à protéger le produit des dégâts pouvant survenir pendant le transport. Faites appel à un service de messagerie proposant une fonction de suivi et une assurance, puisque Horizon ne prend aucune responsabilité pour l'expédition du produit jusqu'à sa réception acceptée. Veuillez joindre une preuve d'achat, une description détaillée des défauts ainsi qu'une liste de tous les éléments distincts envoyés. Nous avons de plus besoin d'une adresse complète, d'un numéro de téléphone (pour demander des renseignements) et d'une adresse de courriel.

#### Garantie et réparations

Les demandes en garantie seront uniquement traitées en présence d'une preuve d'achat originale émanant d'un revendeur spécialisé agréé, sur laquelle figurent le nom de l'acheteur ainsi que la date d'achat. Si le cas de garantie est confirmé, le produit sera réparé. Cette décision relève uniquement de Horizon Hobby.

#### Réparations payantes

En cas de réparation payante, nous établissons un devis que nous transmettons à votre revendeur. La réparation sera seulement effectuée après que nous ayons reçu la confirmation du revendeur. Le prix de la réparation devra être acquitté au revendeur. Pour les réparations payantes, nous facturons au minimum 30 minutes de travail en atelier ainsi que les frais de réexpédition. En l'absence d'un accord pour la réparation dans un délai de 90 jours, nous nous réservons la possibilité de détruire le produit ou de l'utiliser autrement.



**ATTENTION** : nous n'effectuons de réparations payantes que pour les composants électroniques et les moteurs. Les réparations touchant à la mécanique, en particulier celles des hélicoptères et des voitures radiocommandées, sont extrêmement coûteuses et doivent par conséquent être effectuées par l'acheteur lui-même.

## INFORMATIONS DE CONFORMITÉ POUR L'UNION EUROPÉENNE

### CE Déclaration de conformité (conformément à la norme ISO/IEC 17050-1)

No. HH2011110402

Produit(s): SPM Capteurs d'accélération pour télémétrie

Numéro(s) d'article: SPMA9585, SPMA9586

L'objet de la déclaration décrit ci-dessus est en conformité avec les exigences des spécifications énumérées ci-après, suivant les conditions de la directive EMC Directive 2004/108/EC:

**EN61000-6-1:2007**  
**EN61000-6-3:2007**

Signé en nom et pour le compte de:  
Horizon Hobby, Inc.  
Champaign, IL USA  
4 novembre 2011

Steven A. Hall  
Vice-président  
Gestion Internationale des Activités et des Risques  
Horizon Hobby, Inc.



#### Elimination dans l'Union Européenne

Ce produit ne doit pas être éliminé avec les ordures ménagères. Il est de la responsabilité de l'utilisateur de remettre le produit à un point de collecte officiel des déchets d'équipements électriques. Cette procédure permet de garantir le respect de l'environnement et l'absence de sollicitation excessive des ressources naturelles. Elle protège de plus le bien-être de la communauté humaine. Pour plus d'informations quant aux lieux d'éliminations des déchets d'équipements électriques, vous pouvez contacter votre mairie ou le service local de traitement des ordures ménagères.



**AVVISO:** Istruzioni, garanzie e tutti gli altri documenti accessori sono soggetti a modifiche a totale discrezione di Horizon Hobby, Inc. Per avere documentazione aggiornata sul prodotto, visitare il sito Web [www.horizonhobby.com](http://www.horizonhobby.com) e fare clic sulla scheda di supporto per questo prodotto.

**SIGNIFICATO DEI TERMINI PARTICOLARI:**  
In tutta la documentazione relativa al prodotto sono utilizzati i seguenti termini per indicare vari livelli di potenziale pericolo durante il funzionamento:

**AVVISO:** procedure che, se non sono seguite correttamente, possono creare danni materiali E nessuna o scarsa possibilità di lesioni.

**ATTENZIONE:** procedure che, se non sono seguite correttamente, possono creare danni materiali E possibili gravi lesioni.

**AVVERTENZA:** Procedure che, se non debitamente seguite, espongono alla possibilità di danni alla proprietà fisica o possono comportare un'elevata possibilità di provocare ferite superficiali.

**AVVERTENZA:** leggere TUTTO il manuale di istruzioni e prendere familiarità con le caratteristiche del prodotto, prima di farlo funzionare. Un utilizzo scorretto del prodotto può causare danni al prodotto stesso, alle persone o alle cose, provocando gravi lesioni.

Questo è un prodotto di hobbistica sofisticato e NON un giocattolo. È necessario farlo funzionare con cautela e responsabilità e avere conoscenze basilari di meccanica. Se questo prodotto non è utilizzato in maniera sicura e responsabile potrebbero verificarsi lesioni o danni al prodotto stesso o ad altre proprietà. Non è un prodotto adatto a essere utilizzato dai bambini senza la diretta supervisione di un adulto. Non tentare di smontare il prodotto, di utilizzare componenti incompatibili o di potenziarlo in alcun modo senza previa approvazione di Horizon Hobby, Inc. Questo manuale contiene le istruzioni per un funzionamento e una manutenzione sicuri. È fondamentale leggere e seguire tutte le istruzioni e le avvertenze del manuale prima di montare, configurare o far funzionare il Prodotto, al fine di utilizzarlo correttamente e di evitare danni o lesioni gravi.

Almeno 14 anni. Non è un giocattolo.

## SPMA9585/SPMA9586 AIRCRAFT TELEMETRY G-FORCE SENSORS GUIDA PER L'UTENTE

I sensori G-Force Spektrum™ SPMA9585/SPMA9586 Aircraft Telemetry, sono compatibili con il modulo di espansione X-BUS per la telemetria, Spektrum TM1000.

### Caratteristiche

**Tipo:** Sensori per la telemetria da aereo G-Force SPMA9585/SPMA9586

**Misurazioni:** SPMA9585 = 3 assi ± 8G  
SPMA9586 = 2 assi ± 40G (assi X e Z),  
1 asse ± 8G (asse Y)

**Dimensioni:** 28mm x 16mm x 10mm

**Peso:** Circuito 4 g

**Calibrazione:** non è richiesta calibrazione da parte dell'utente

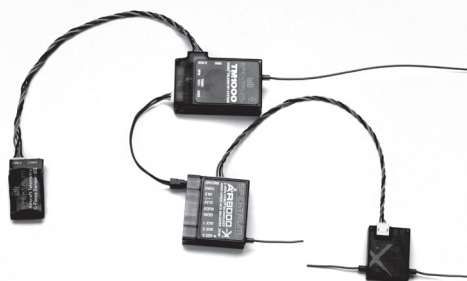
**Important:** Les capteurs d'accélération sont à +/-8G et +/-40G après la mise à zéro. L'amplitude de mesure du capteur peu légèrement varier. Par exemple, le capteur 8G peu descendre à -7.5G et monter à +8.5G.

### Articoli inclusi



- Prolunga X-BUS
- Sensore

## Informazioni sui collegamenti



Inserire la prolunga X-BUS nel sensore G-Force e nella porta X-BUS del modulo di telemetria TM1000. Il sensore ha due porte per il collegamento X-BUS. La seconda serve per altri sensori con collegamento a margherita. Il sensore G-Force si può installare in qualsiasi punto dell'aereo per avere i valori di G sullo schermo della telemetria.

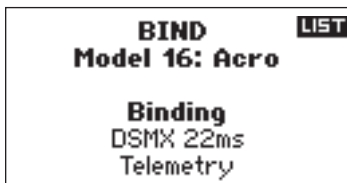
**Importante:** verificare che il software AirWare™ in uso sia aggiornato alla versione più recente.

Montare il modulo TM1000 vicino al ricevitore in una posizione che permetta al cavo dati da 2,5 pollici di andare dalla porta dati del ricevitore alla porta dati del modulo di telemetria. Si può fissare il modulo TM1000 con biadesivo oppure avvolgerlo nella spugna insieme al ricevitore. Quindi bisogna collegare un capo del cavo dati alla porta contrassegnata con DATA sul TM1000, e l'altro capo alla stessa porta sul ricevitore.

**AVVISO:** per avere la migliore portata, fissare l'antenna lontano da materiali metallici o conduttivi.

## Connettere (binding) il modulo di telemetria e il ricevitore

1. Usare il Bind Stylus per tenere premuto il pulsante "bind" sul lato del modulo di telemetria TM1000.
2. Mentre si preme il pulsante "bind" accendere il ricevitore. Il ricevitore principale, tutti i ricevitori collegati e il modulo TM1000 lampeggiano indicando che il sistema è in modo "bind".
3. Mettere il trasmettitore in modo "bind" con gli stick e gli interruttori nella posizione di failsafe (normalmente motore al minimo e gli altri stick centrati).
4. Lo schermo principale mostra il tipo di ricevitore. Dopo alcuni secondi il sistema si connette e ritorna allo schermo principale.



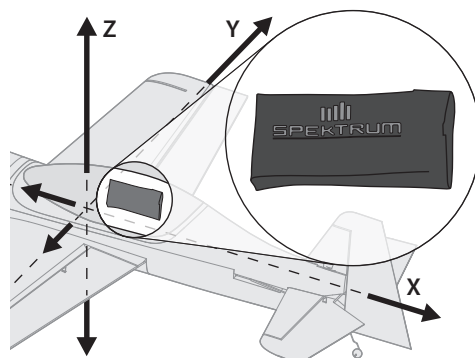
5. Dallo schermo principale, ruotare il "roller" per accedere allo schermo della telemetria e verificare i dati registrati con le letture del G-Force.

**AVVISO:** Si deve abilitare il G-Force nella schermata del System Setup Telemetry.

G-Force			
Axis	Max	Min	
X:	-5.1	8.40	
Y:	-0.6	3.40	
Z:	+1.7	+3.83	-2.20

## Installazione

Il sensore opzionale G-Force è fatto per essere facilmente installato in qualsiasi aereo. La precisione del G-Force dipende dalla posizione e dall'orientamento del sensore rispetto al centro di gravità dell'aereo. Per una installazione corretta montare il sensore sul fianco destro della fusoliera con i fili rivolti verso la parte posteriore dell'aereo (vedi il disegno). Per mandare a zero i valori di telemetria del G-Force, basta spegnerlo e poi riaccenderlo.



## DURATA DELLA GARANZIA

### Periodo di garanzia

Garanzia esclusiva - Horizon Hobby, Inc., (Horizon) garantisce che i prodotti acquistati (il "Prodotto") sono privi di difetti relativi ai materiali e di eventuali errori di montaggio. Il periodo di garanzia è conforme alle disposizioni legali del paese nel quale il prodotto è stato acquistato. Tale periodo di garanzia ammonta a 6 mesi e si estende ad altri 18 mesi dopo tale termine.

### Limiti della garanzia

(a) La garanzia è limitata all'acquirente originale (Acquirente) e non è cedibile a terzi. L'acquirente ha il diritto a far riparare o a far sostituire la merce durante il periodo di questa garanzia. La garanzia copre solo quei prodotti acquistati presso un rivenditore autorizzato Horizon. Altre transazioni di terze parti non sono coperte da questa garanzia. La prova di acquisto è necessaria per far valere il diritto di garanzia. Inoltre, Horizon si riserva il diritto di cambiare o modificare i termini di questa garanzia senza alcun preavviso e di escludere tutte le altre garanzie già esistenti (b) Horizon non si assume alcuna garanzia per la disponibilità del prodotto, per l'adeguatezza o l'idoneità del prodotto a particolari previsti dall'utente. È sola responsabilità dell'acquirente il fatto di verificare se il prodotto è adatto agli scopi da lui previsti.

(c) Richiesta dell'acquirente – spetta soltanto a Horizon, a propria discrezione riparare o sostituire qualsiasi prodotto considerato difettoso e che rientra nei termini di garanzia. queste sono le uniche rivalse a cui l'acquirente si può appellare, se un prodotto è difettoso.

Horizon si riserva il diritto di controllare qualsiasi componente utilizzato che viene coinvolto nella rivalsa di garanzia. Le decisioni relative alla sostituzione o alla riparazione avvengono solo in base alla discrezione di Horizon. Questa garanzia non copre dei danni superficiali o danni per cause di forza maggiore, uso errato del prodotto, negligenza, uso ai fini commerciali, o una qualsiasi modifica a qualsiasi parte del prodotto. Questa garanzia non copre danni dovuti ad una installazione errata, ad un funzionamento errato, ad una manutenzione o un tentativo di riparazione non idonei a cura di soggetti diversi da Horizon. La restituzione del prodotto a cura dell'acquirente, o da un suo rappresentante, deve essere approvata per iscritto dalla Horizon.

### Limiti di danno

Horizon non si riterrà responsabile per danni speciali, diretti, indiretti o consequenziali; perdita di profitto o di produzione; perdita commerciale connessa al prodotto, indipendentemente dal fatto che la richiesta si basa su un contratto o sulla garanzia. Inoltre la responsabilità di Horizon non supera mai in nessun



caso il prezzo di acquisto del prodotto per il quale si chiede la responsabilità. Horizon non ha alcun controllo sul montaggio, sull'utilizzo o sulla manutenzione del prodotto o di combinazioni di vari prodotti. Quindi Horizon non accetta nessuna responsabilità per danni o lesioni derivanti da tali circostanze. Con l'utilizzo e il montaggio del prodotto l'utente acconsente a tutte le condizioni, limitazioni e riserve di garanzia citate in questa sede. Qualora l'utente non fosse pronto ad assumersi tale responsabilità associata all'uso del prodotto, si suggerisce di restituire il prodotto intatto, mai usato e immediatamente presso il venditore.

#### Indicazioni di sicurezza

Questo è un prodotto sofisticato di hobbistica e non è un giocattolo. Esso deve essere manipolato con cautela, con giudizio e richiede delle conoscenze basilari di meccanica e delle facoltà mentali di base. Se il prodotto non verrà manipolato in maniera sicura e responsabile potrebbero risultare delle lesioni, dei gravi danni a persone, al prodotto o all'ambiente circostante. Questo prodotto non è concepito per essere usato dai bambini senza una diretta supervisione di un adulto. Il manuale del prodotto contiene le istruzioni di sicurezza, di funzionamento e di manutenzione del prodotto stesso. È fondamentale leggere e seguire tutte le istruzioni e le avvertenze nel manuale prima di mettere in funzione il prodotto. Solo così si eviterà un utilizzo errato e di preverranno incidenti, lesioni o danni.

#### Domande, assistenza e riparazioni

Il vostro negozio locale e/o luogo di acquisto non possono fornire garanzie di assistenza o riparazione senza previo colloquio con Horizon. questo vale anche per le riparazioni in garanzia. Quindi in tali casi bisogna interpellare un rivenditore, che si metterà in contatto subito con Horizon per prendere una decisione che vi possa aiutare nel più breve tempo possibile.

#### Manutenzione e riparazione

Se il prodotto deve essere ispezionato o riparato, si prega di rivolgersi ad un rivenditore specializzato o direttamente ad Horizon. il prodotto deve essere imballato con cura. Bisogna

far notare che i box originali solitamente non sono adatti per effettuare una spedizione senza subire alcun danno. Bisogna effettuare una spedizione via corriere che fornisce una tracciabilità e un'assicurazione, in quanto Horizon non si assume alcuna responsabilità in relazione alla spedizione del prodotto. Inserire il prodotto in una busta assieme ad una descrizione dettagliata degli errori e ad una lista di tutti i singoli componenti spediti. Inoltre abbiamo bisogno di un indirizzo completo, di un numero di telefono per chiedere ulteriori domande e di un indirizzo e-mail.

#### Garanzia a riparazione

Le richieste in garanzia verranno elaborate solo se è presente una prova d'acquisto in originale proveniente da un rivenditore specializzato autorizzato, nella quale è ben visibile la data di acquisto. Se la garanzia viene confermata, allora il prodotto verrà riparato o sostituito. Questa decisione spetta esclusivamente a Horizon Hobby.

#### Riparazioni a pagamento

Se bisogna effettuare una riparazione a pagamento, effettueremo un preventivo che verrà inoltrato al vostro rivenditore. La riparazione verrà effettuata dopo l'autorizzazione da parte del vostro rivenditore. La somma per la riparazione dovrà essere pagata al vostro rivenditore. Le riparazioni a pagamento avranno un costo minimo di 30 minuti di lavoro e in fattura includeranno le spese di restituzione. Qualsiasi riparazione non pagata e non richiesta entro 90 giorni verrà considerata abbandonata e verrà gestita di conseguenza.



**ATTENZIONE:** Le riparazioni a pagamento sono disponibili solo sull'elettronica e sui motori. Le riparazioni a livello meccanico, soprattutto per gli elicotteri e le vetture RC sono molto costose e devono essere effettuate autonomamente dall'acquirente.

## INFORMAZIONI SULLA CONFORMITÀ PER L'UNIONE EUROPEA

### Dichiarazione di conformità (in conformità con ISO/IEC 17050-1)

No. HH2011110402

Prodotto(i): SPM Sensori per la telemetria da aereo G-Force

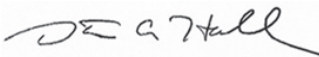
Numero(i) articolo: SPMA9585, SPMA9586

Gli oggetti presentati nella dichiarazione sopra citata sono conformi ai requisiti delle specifiche elencate qui di seguito, seguendo le disposizioni della direttiva europea EMC Directive 2004/108/EC:

**EN61000-6-1:2007**

**EN61000-6-3:2007**

Firmato per conto di:  
Horizon Hobby, Inc.  
Champaign, IL USA  
4 novembre 2011



Steven A. Hall  
Vice Presidente  
Operazioni internazionali e Gestione dei rischi  
Horizon Hobby, Inc.



#### Smaltimento all'interno dell'Unione Europea

Questo prodotto non deve essere smaltito assieme ai rifiuti domestici. Al contrario, è responsabilità dell'utente lo smaltimento di tali rifiuti, che devono essere portati in un centro di raccolta designato per il riciclaggio di rifiuti elettrici e apparecchiature elettroniche. La raccolta differenziata e il riciclaggio di tali rifiuti provenienti da apparecchiature nel momento dello smaltimento aiuteranno a preservare le risorse naturali e garantiranno un riciclaggio adatto a proteggere il benessere dell'uomo e dell'ambiente. Per maggiori informazioni sui punti di riciclaggio si prega di contattare il proprio ufficio locale, il servizio di smaltimento rifiuti o il negozio presso il quale è stato acquistato il prodotto.

Stato in cui il prodotto è stato acquistato	Horizon Hobby	Indirizzo	Telefono/Indirizzo e-mail
Germania	Horizon Technischer Service	Christian-Junge-Straße 1 25337 Elmshorn Germany	+49 (0) 4121 2655 100 service@horizonhobby.de